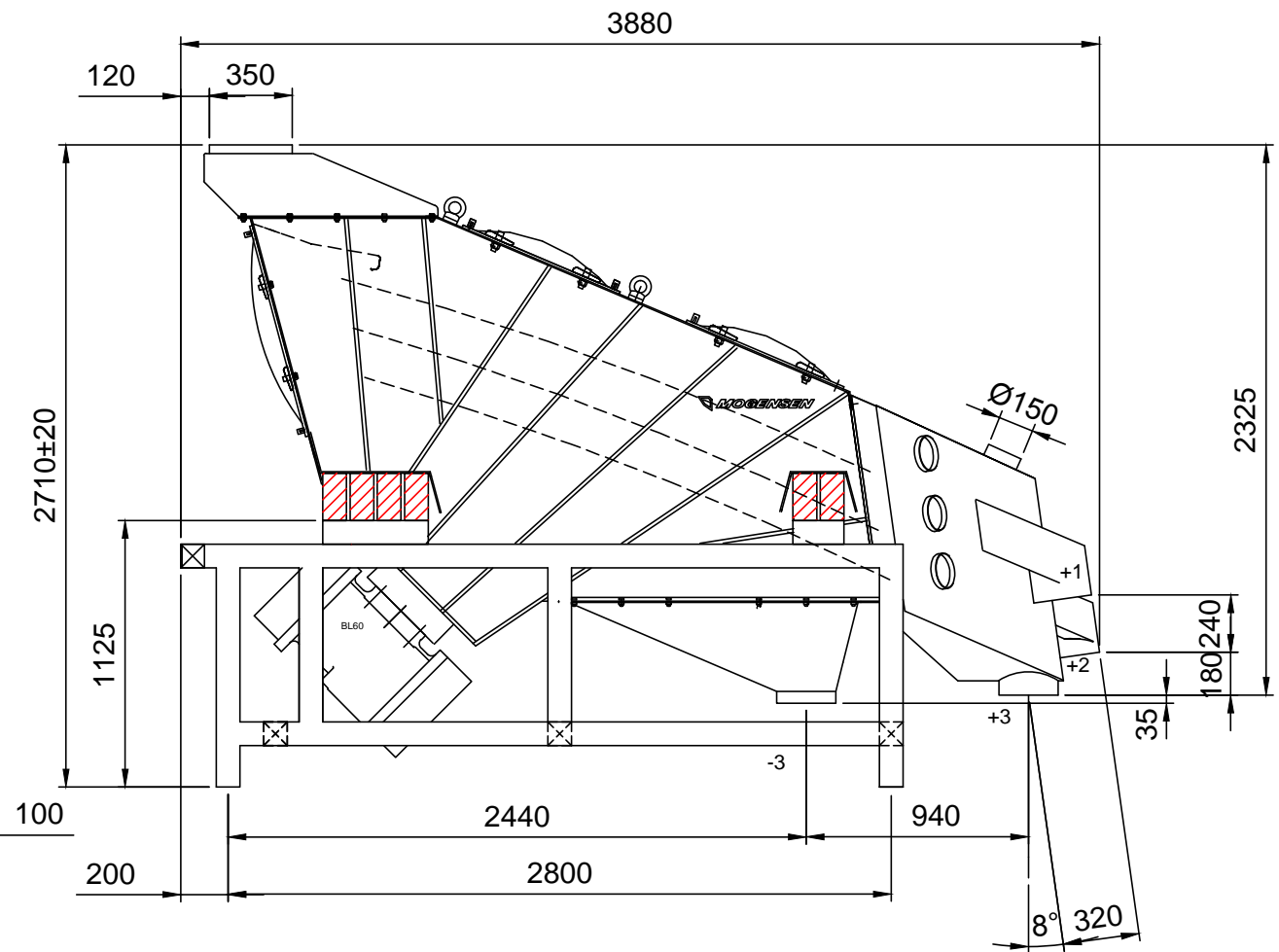
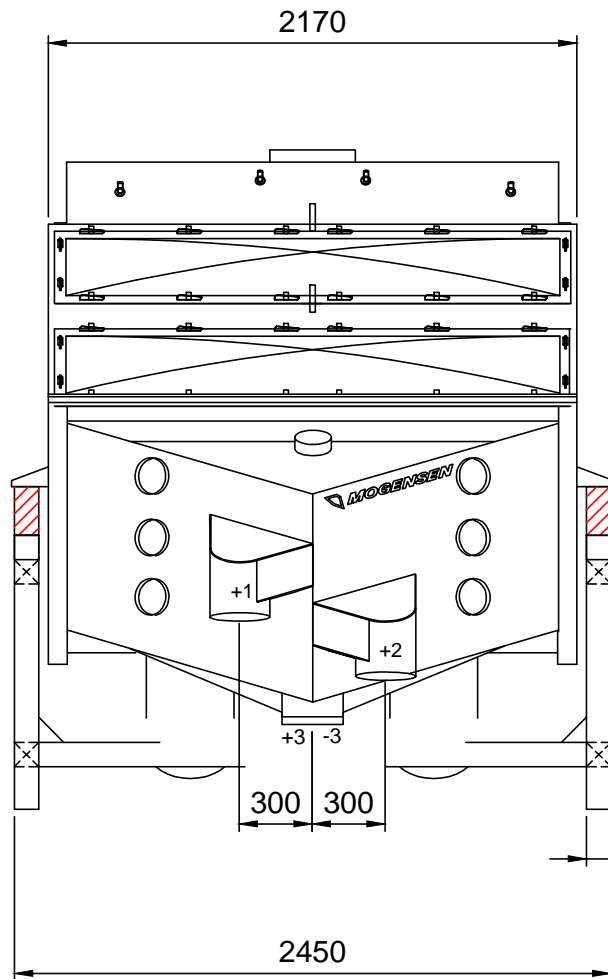



Weight:
 Sizer 4200 - 4600 kg
 Supportframe 1350 kg

Dynamic load (6 pol 50Hz)
 + - (2935 x 0,15) 440 N at 16 Hz

Screening surface: 3 x 4,8 m²



Outlets
 Ø 250 mm

 FREDRIK MOGENSEN AB Hjo, SWEDEN	Ref.	Skala	Typ
		1:30	SEL2036
	Ritad	Sign	Kontr.
	2012-10-01	JJ	OJ
	Nr	Rev.	
	53597	0	

Nr	Ant	Ändring och/eller medd.-nr	Datum	Inf	Godk
----	-----	----------------------------	-------	-----	------