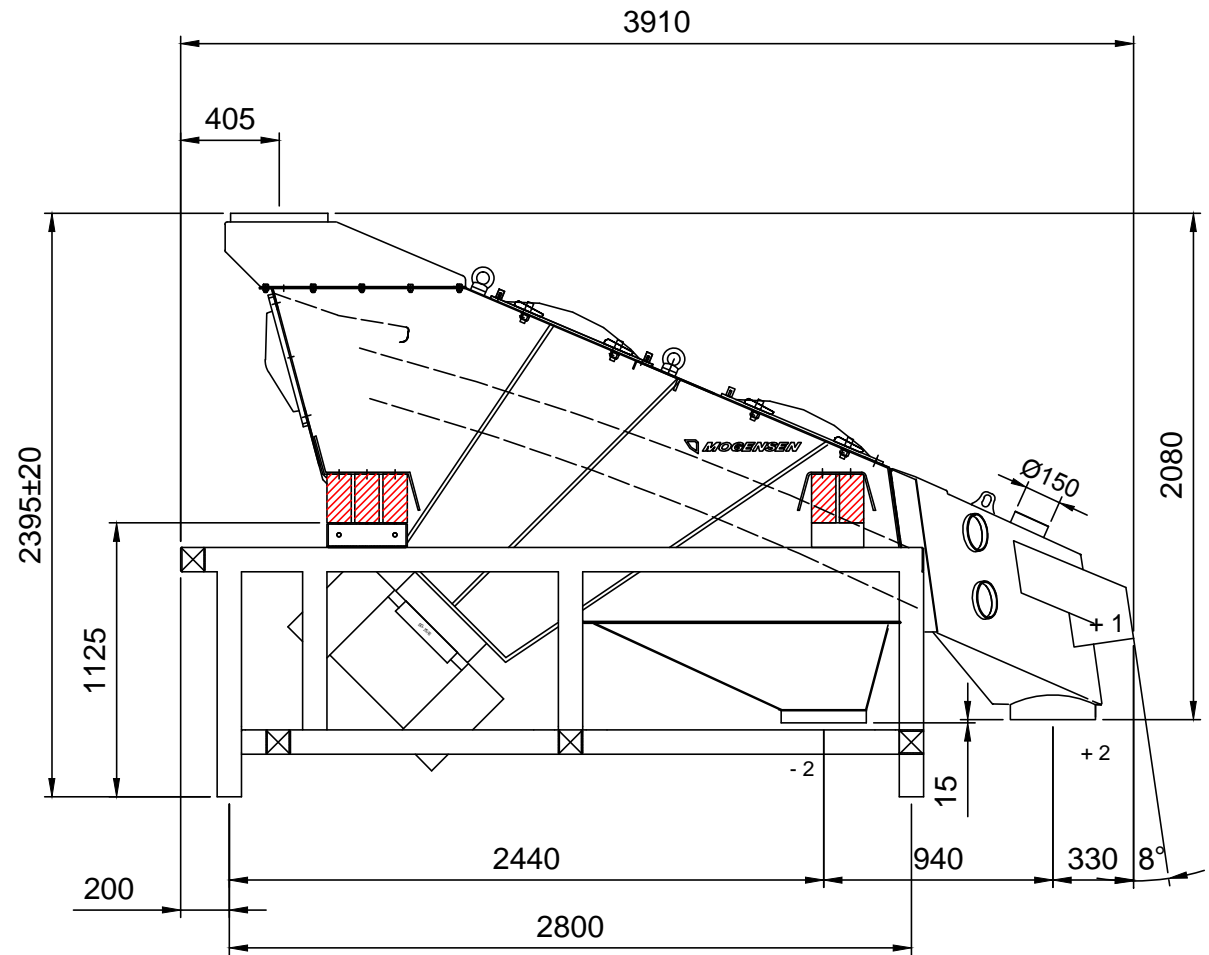
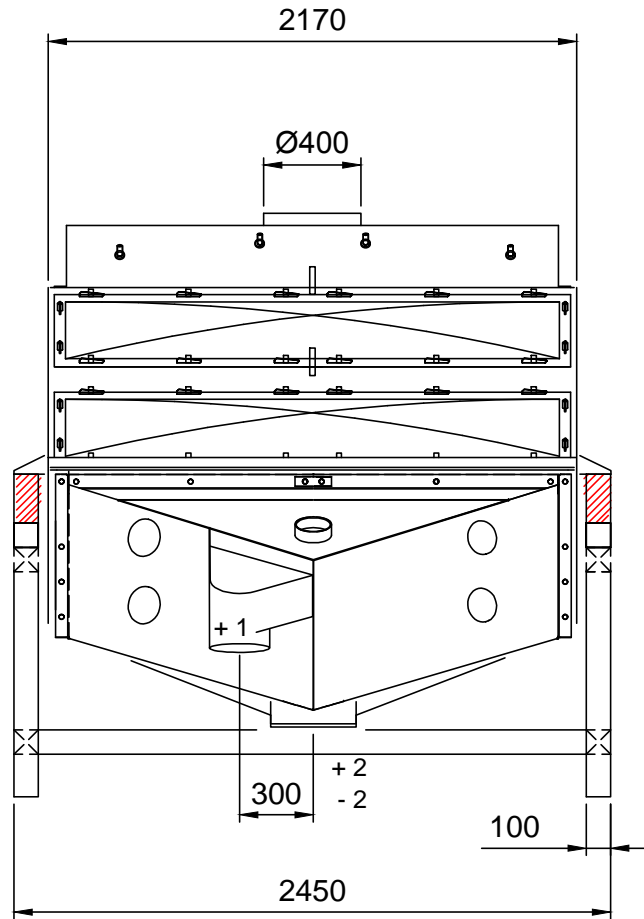



Weight:  
 Sizer 4000 - 4400 kg  
 Supportframe 450 kg

Dynamic load  
 (6 pol 50Hz) + - 2443 N at 16 Hz

Screening surface: 2 x 4,8 m<sup>2</sup>



Outlets  
 +1 Ø 250mm  
 +2,-2 Ø 350 mm

 <b>FREDRIK MOGENSEN AB</b> Hjo, SWEDEN	Ref.	Skala 1:30	Typ SEL202		
	Mogensen Sizer		Ritad 2012-10-01	Sign JJ	Kontr. OJ
	Type SEL2026		Nr <b>53596</b>		

Nr	Ant	Ändring och/eller medd.-nr	Datum	Inf	Godk
----	-----	----------------------------	-------	-----	------