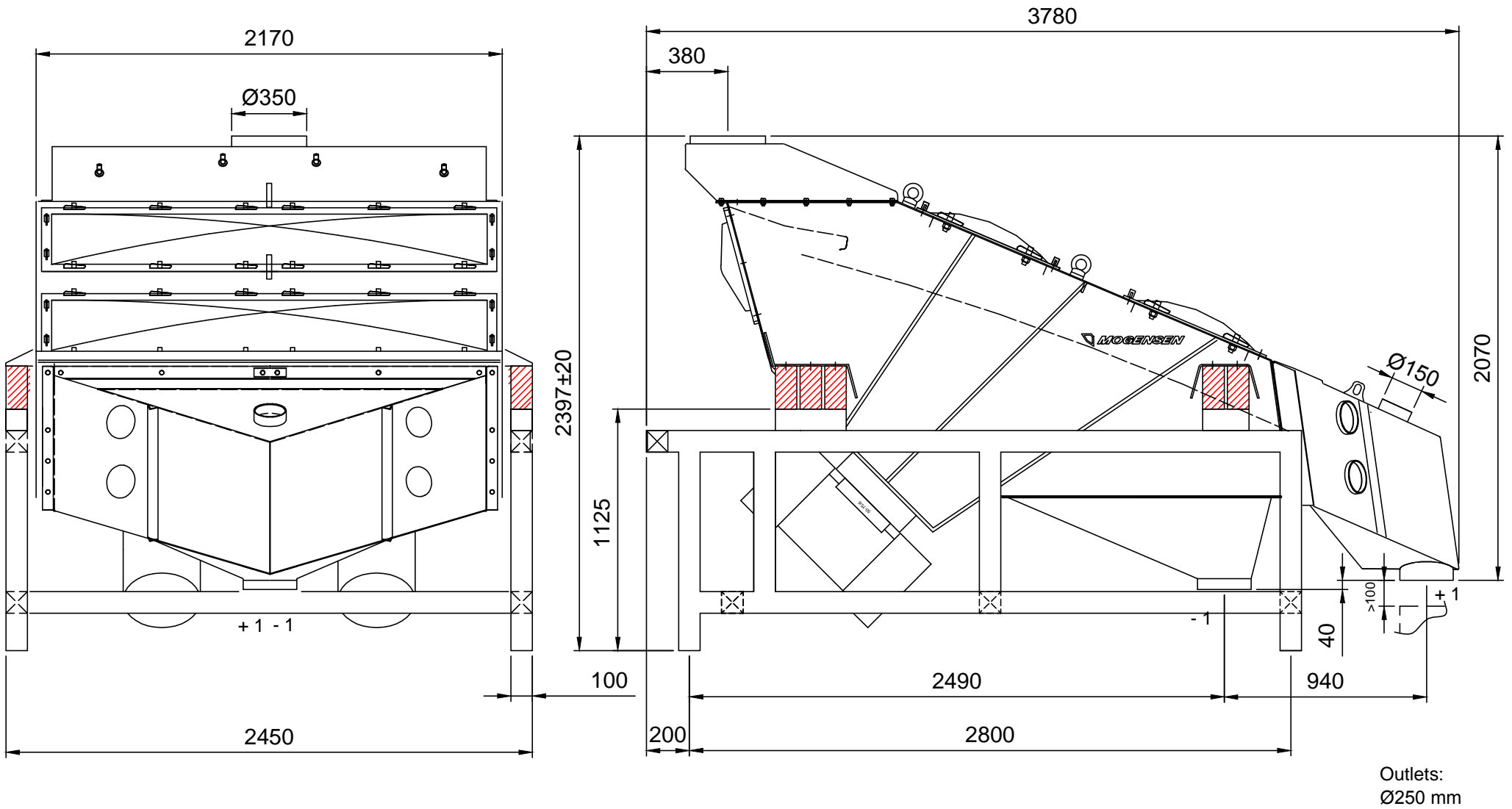



Dynamic load
(6 pol 50Hz) + - 2443 N at 16 Hz

Weights:
Sizer = 4000-4400 kgs
Support frame = 250 kgs

Screening surface: 1 x 4,8 m²



Outlets:
Ø250 mm

 FREDRIK MOGENSEN AB Hjo, SWEDEN		Ref.	Skala	Typ
			1:25	SEL201
Mogensen Sizer Type SEL2016		Ritad	Sign	Kontr.
		2012-10-01	JJ	OJ
		Nr	53595 Rev. 0	

Nr	Ant	Ändring och/eller medd.-nr	Datum	Inf	Godk
----	-----	----------------------------	-------	-----	------