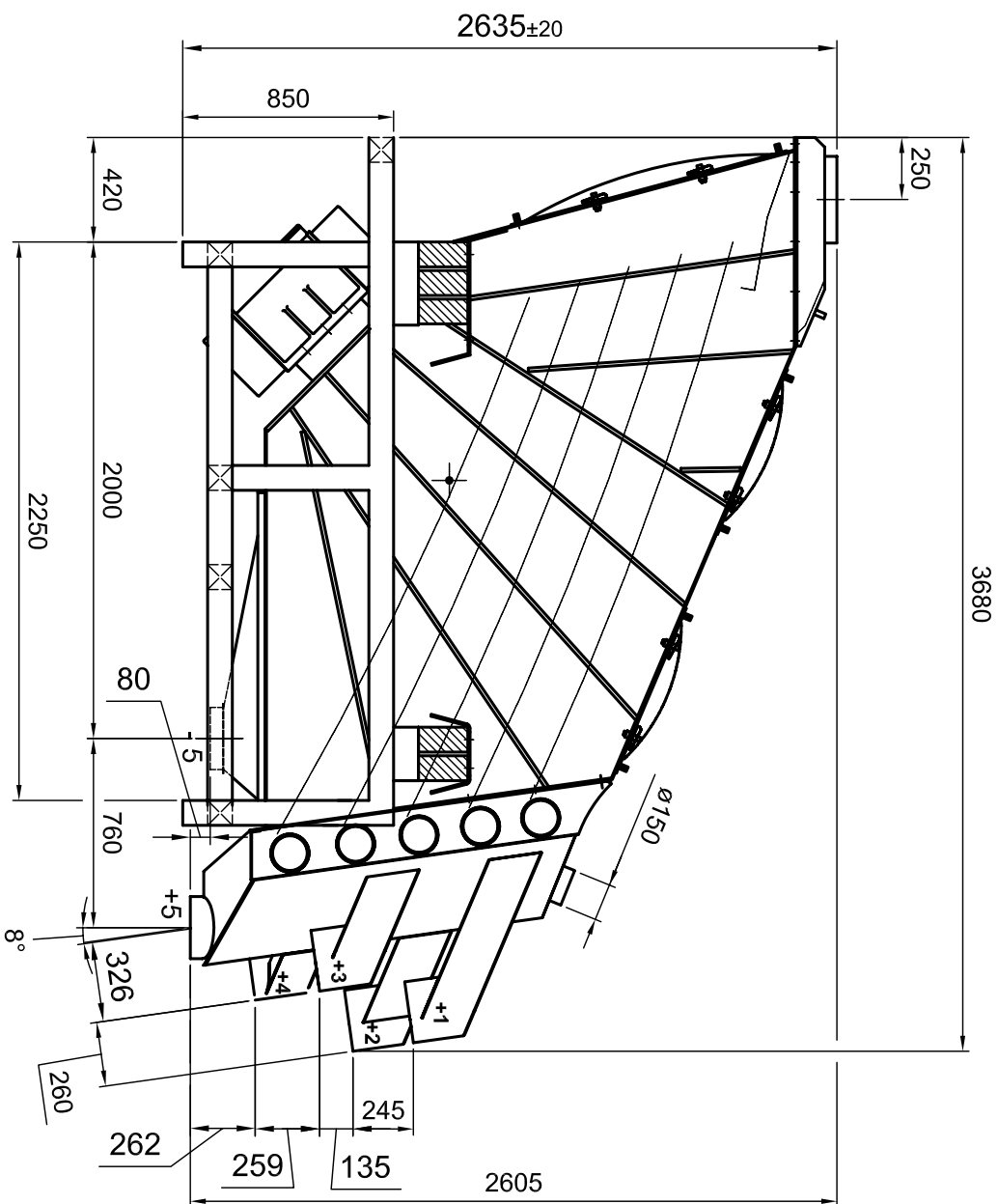
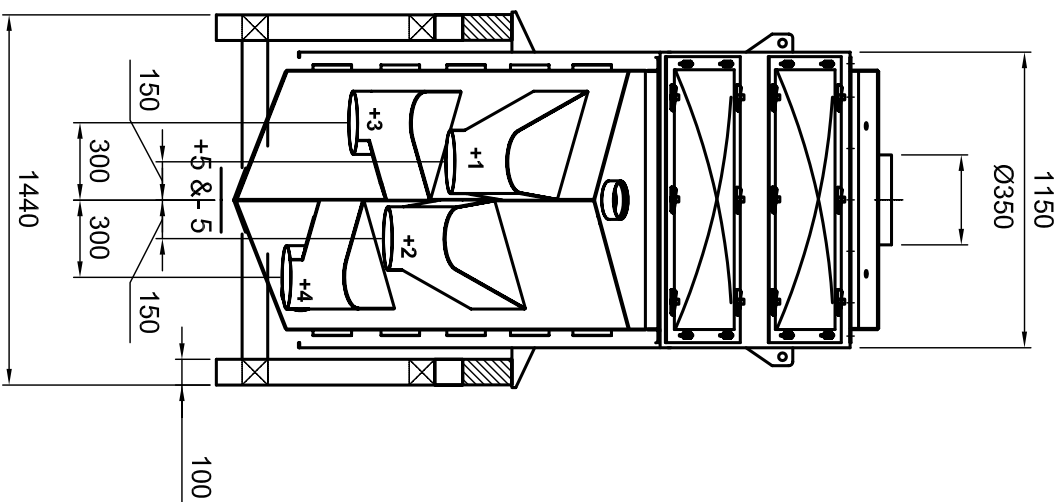


Dynamic load
(6 pol 50Hz) + - 2445 N at 16 Hz

Weights:
Sizer ca 2700kg
Support frame ca 320 kg

Screening surface: 5 x 2,4 m²



Outlets:
Ø 250mm

Nr	Ant	Ändring och/eller medd.-nr	Datum	Inf	Godk
----	-----	----------------------------	-------	-----	------

MOGENSEN
FREDRIK MOGENSEN AB
Hj0, SWEDEN

Ref. Mogensen Sizer
Type SEL105

Skala	1:30	Typ	SEL105
Ritad	2004-06-18	Sign	JJ
Nr	49476	Kontr.	OJ
Rev.	0		