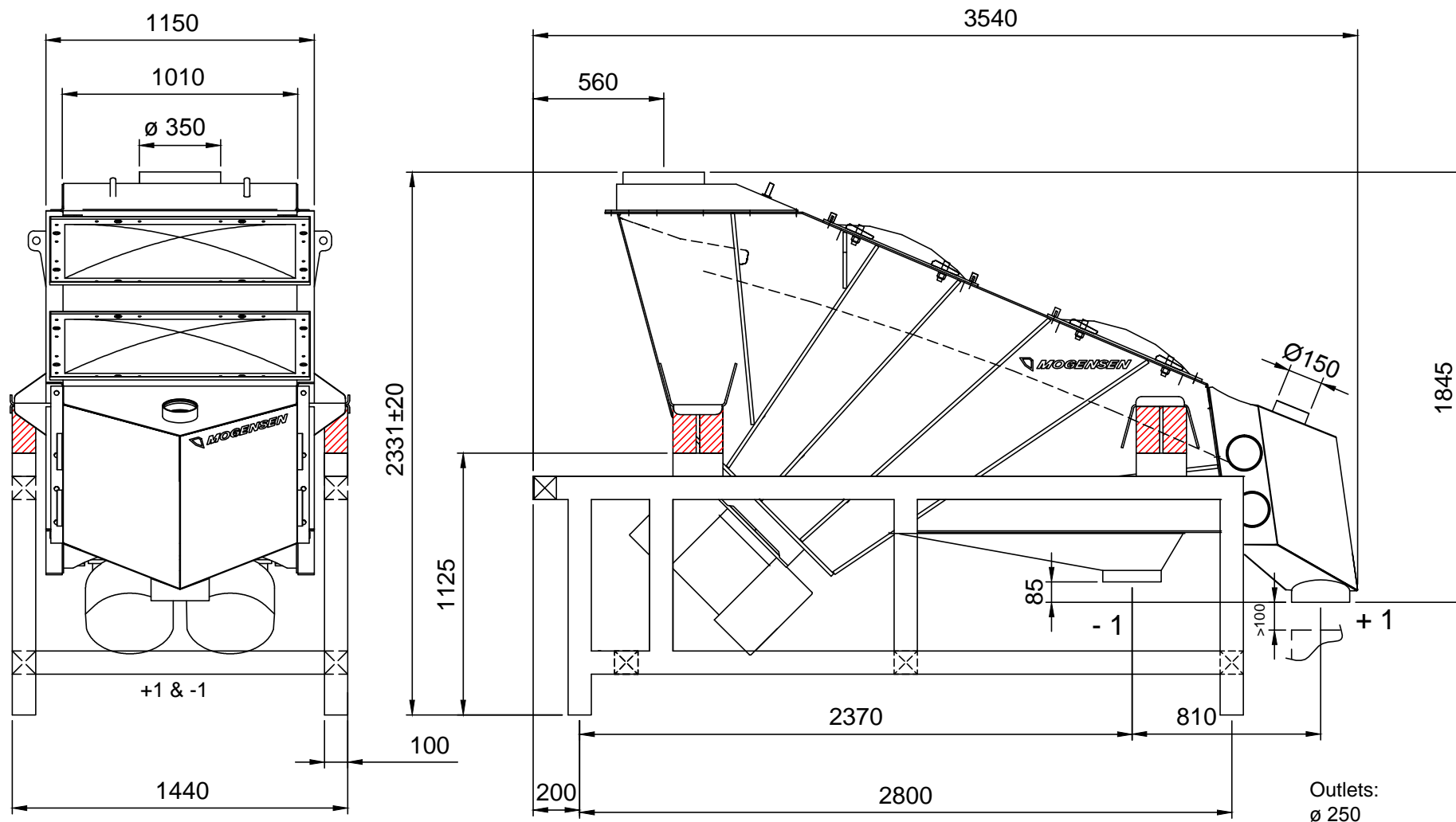



Dynamic load
(6 pol 50Hz) + - 2445 N at 16 Hz

Weights:
Sizer = 1900-2200 kgs
Support frame = 320 kgs

Screening surface: 1 x 2,4 m²



 FREDRIK MOGENSEN AB Hjo, SWEDEN	Ref.	Skala	Typ	
		1:25	SEL101	
		Ritad	Sign	Kontr.
		2012-09-26	JJ	OJ
			Nr	Rev.
			53585	

Nr	Ant	Ändring och/eller medd.-nr	Datum	Inf	Godk
----	-----	----------------------------	-------	-----	------

Mogensen Sizer
Type SEL101