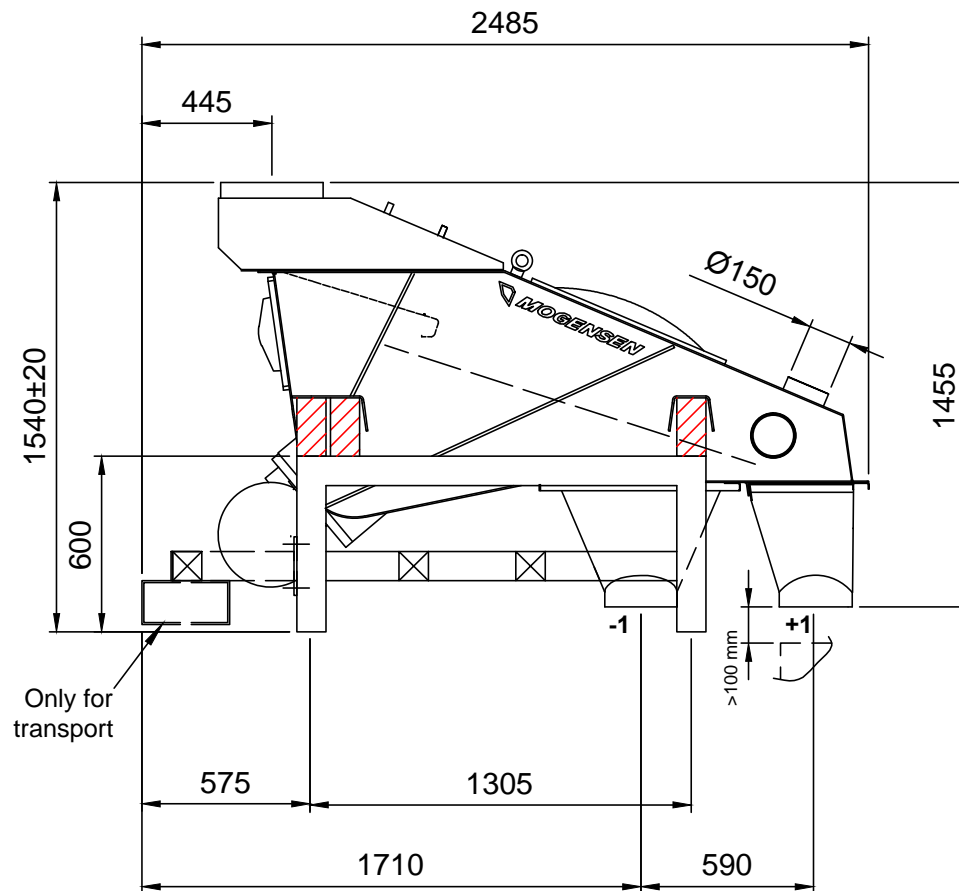
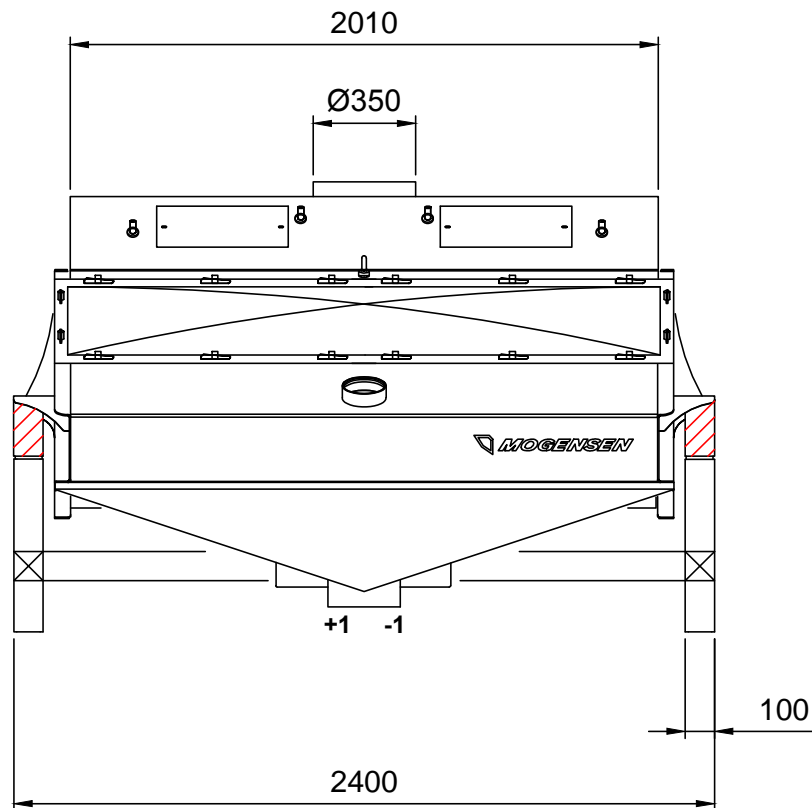



Dynamic load
 (4 pol 50Hz) + - 720 N at 24 Hz
 (6 pol 50Hz) + - 1650 N at 16 Hz

Weights:
 Sizer = ~1450 kgs
 Supportframe = 170 kgs

Screening surface: 1 x 2,6 m²



Outlets Ø 250 mm

 FREDRIK MOGENSEN AB Hjo, SWEDEN	Ref.	Skala 1:25	Typ G201		
	Mogensen Sizer Type G201		Ritad 2004-03-04	Sign OJ	Kontr. JJ
			Nr 49258	Rev. 0	

Nr	Ant	Ändring och/eller medd.-nr	Datum	Inf	Godk
----	-----	----------------------------	-------	-----	------