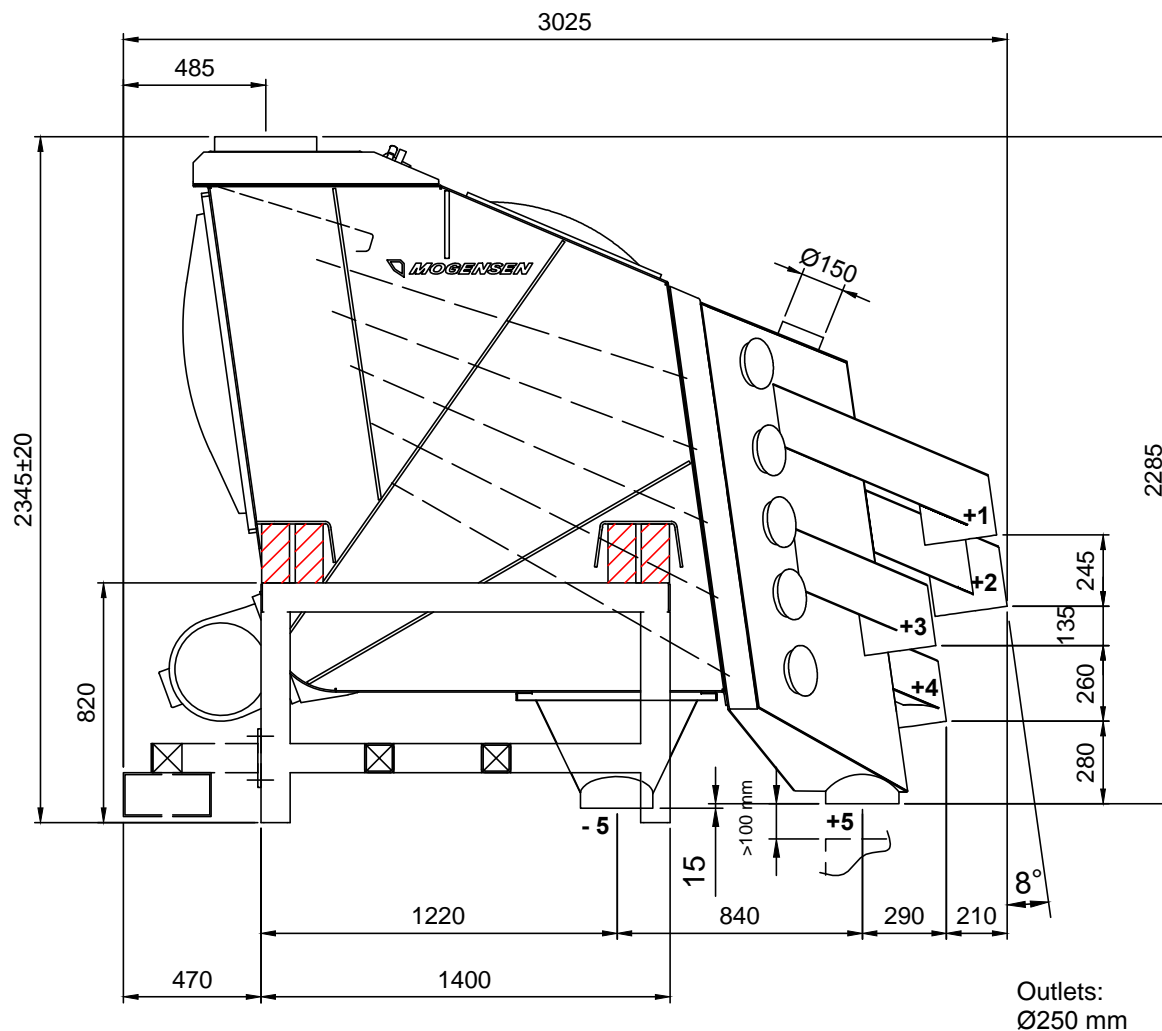
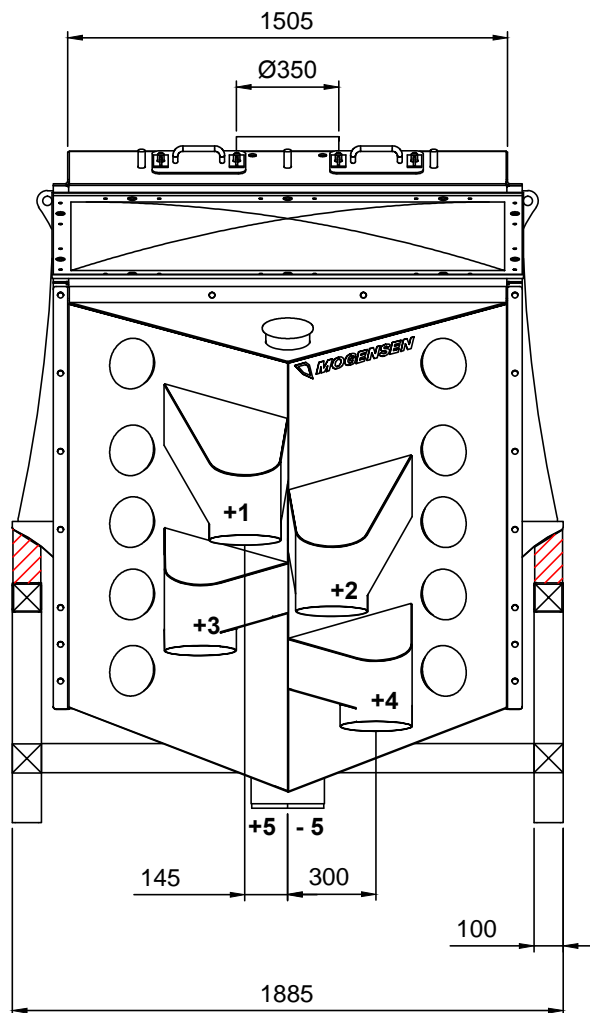


Dynamic load  
 (4 pol 50Hz) + - 895 N at 24 Hz  
 (6 pol 50Hz) + - 2050 N at 16 Hz

Weights:  
 Sizer: ~ 1920 kgs  
 Support frame: 200 kgs

Screening surface: 5 x 2,0 m<sup>2</sup>



**MOGENSEN**<sup>®</sup>  
 FREDRIK MOGENSEN AB  
 Hjo, SWEDEN

Ref.   
 Skala 1:25  
 Typ G155  
 Ritad 2004-02-03  
 Sign JJ  
 Kontr. OJ  
 Nr 49030  
 Rev. 0

Nr	Ant	Ändring och/eller medd.-nr	Datum	Inf	Godk
----	-----	----------------------------	-------	-----	------