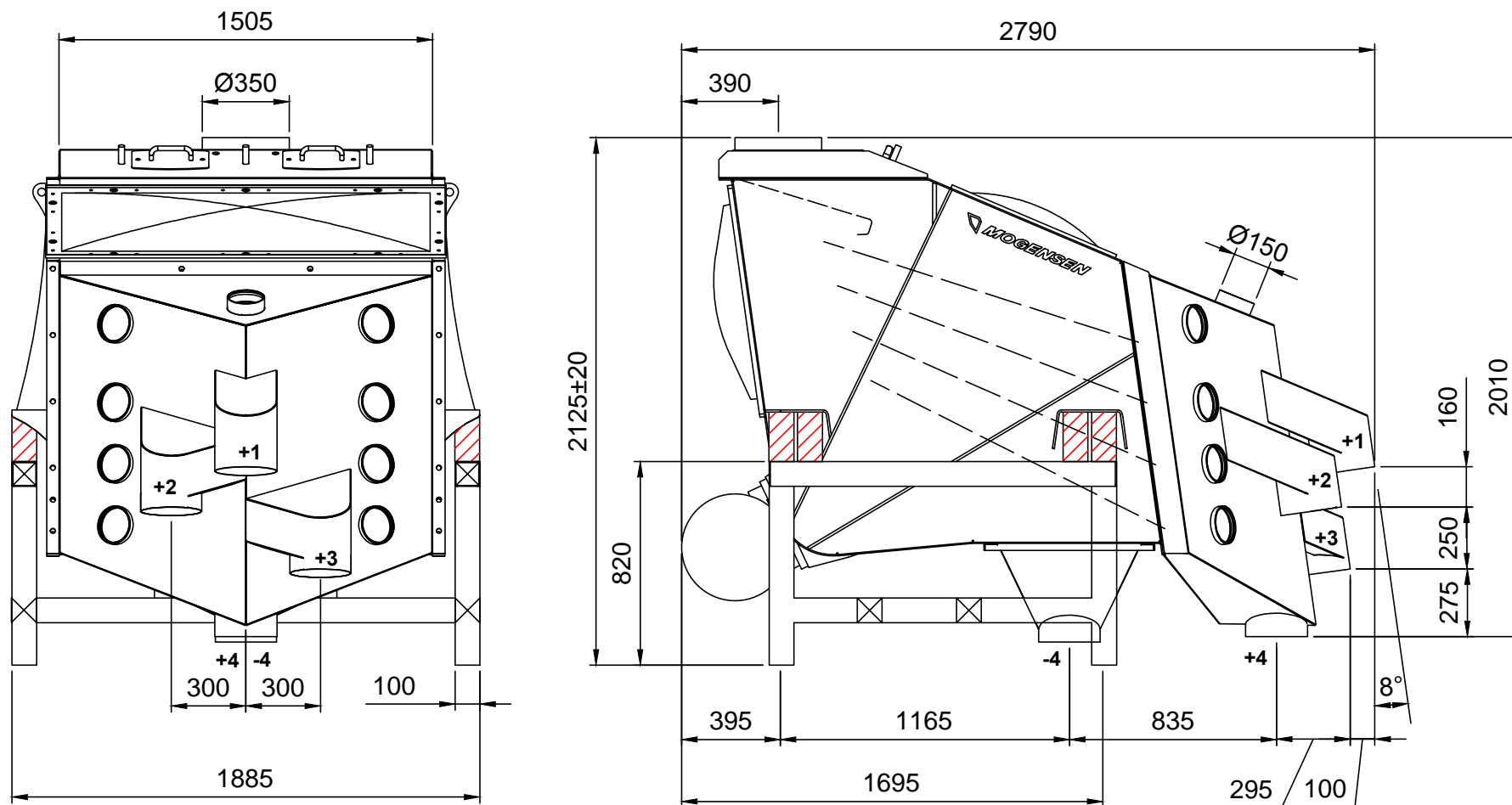



Dynamic load
 (4 pol 50Hz) ± 800 N at 24 Hz
 (6 pol 50Hz) ± 1830 N at 16 Hz

Weights:
 Sizer: ~ 1700 kgs
 Support frame: 200 kgs

Screening surface: 4 x 2,0 m²



Outlets:
 Ø250 mm

 FREDRIK MOGENSEN AB Hjo, SWEDEN	Ref.	Skala	Typ
		1:25	G154
	Mogensen Sizer Type G154	Ritad	Sign
		2004-02-09	JJ OJ
		Nr	Rev.
		49185	0

Nr	Ant	Ändring och/eller medd.-nr	Datum	Inf	Godk
----	-----	----------------------------	-------	-----	------