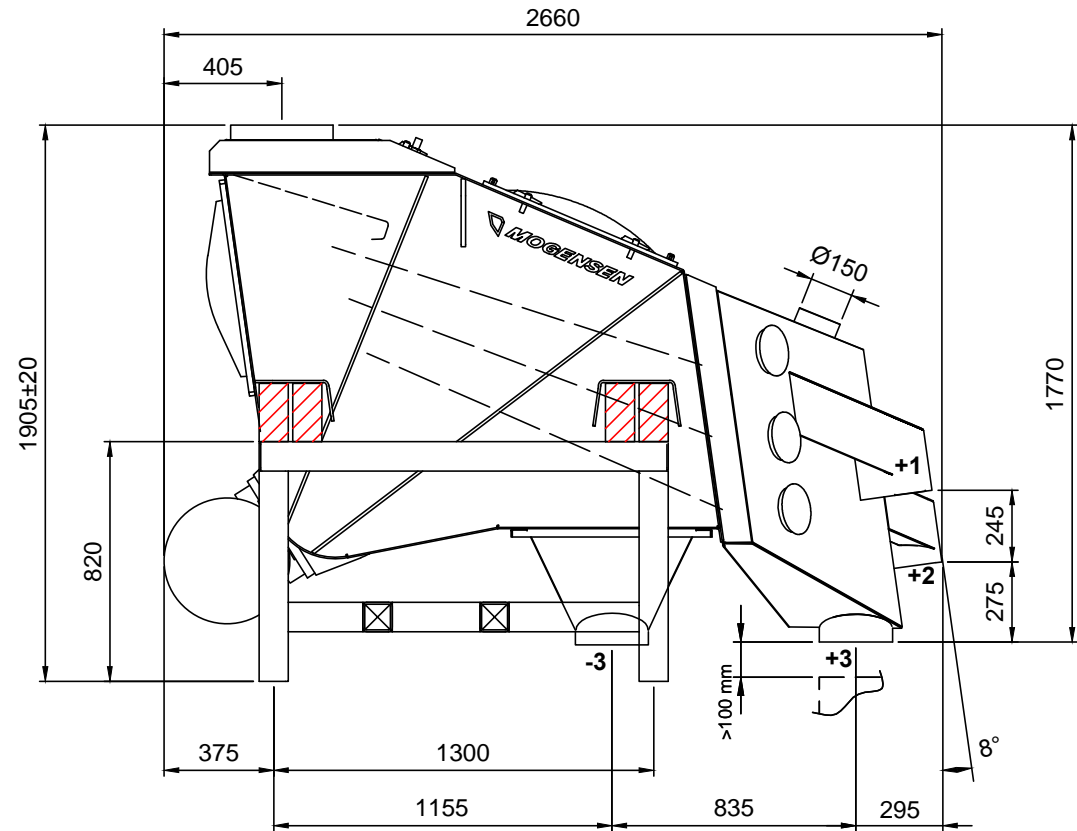
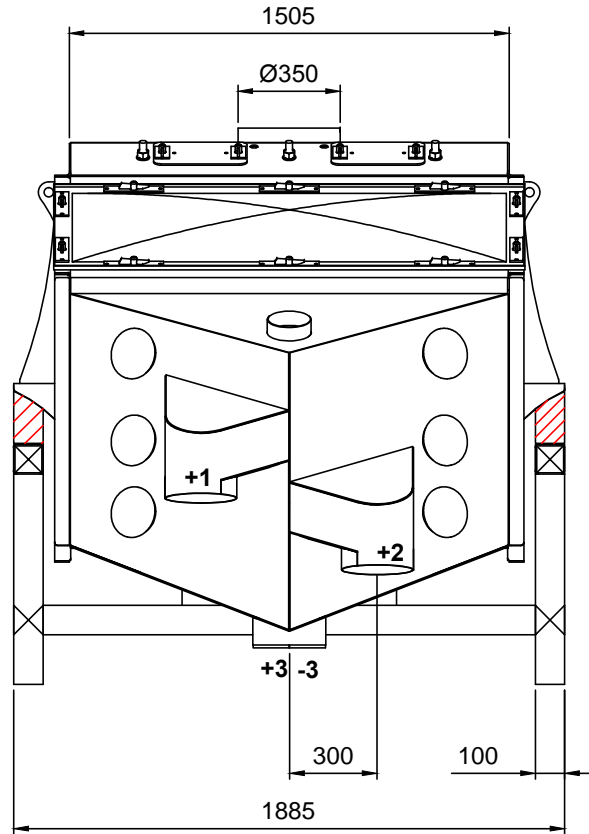



Dynamic load
 (4 pol 50Hz) + - 352 N at 24 Hz
 (6 pol 50Hz) + - 800 N at 16 Hz

Weights:
 Sizer: ~ 1500 kgs
 Support frame: 200 kgs

Screening surface: 3 x 2,0 m²



Outlets:
 Ø250 mm

 FREDRIK MOGENSEN AB Hjo, SWEDEN	Ref.	Skala 1:25	Typ G153		
	Mogensen Sizer Type G153		Ritad 2004-01-14	Sign OJ	Kontr. JJ
				Nr 49057	Rev. 0

Nr	Ant	Ändring och/eller medd.-nr	Datum	Inf	Godk
----	-----	----------------------------	-------	-----	------