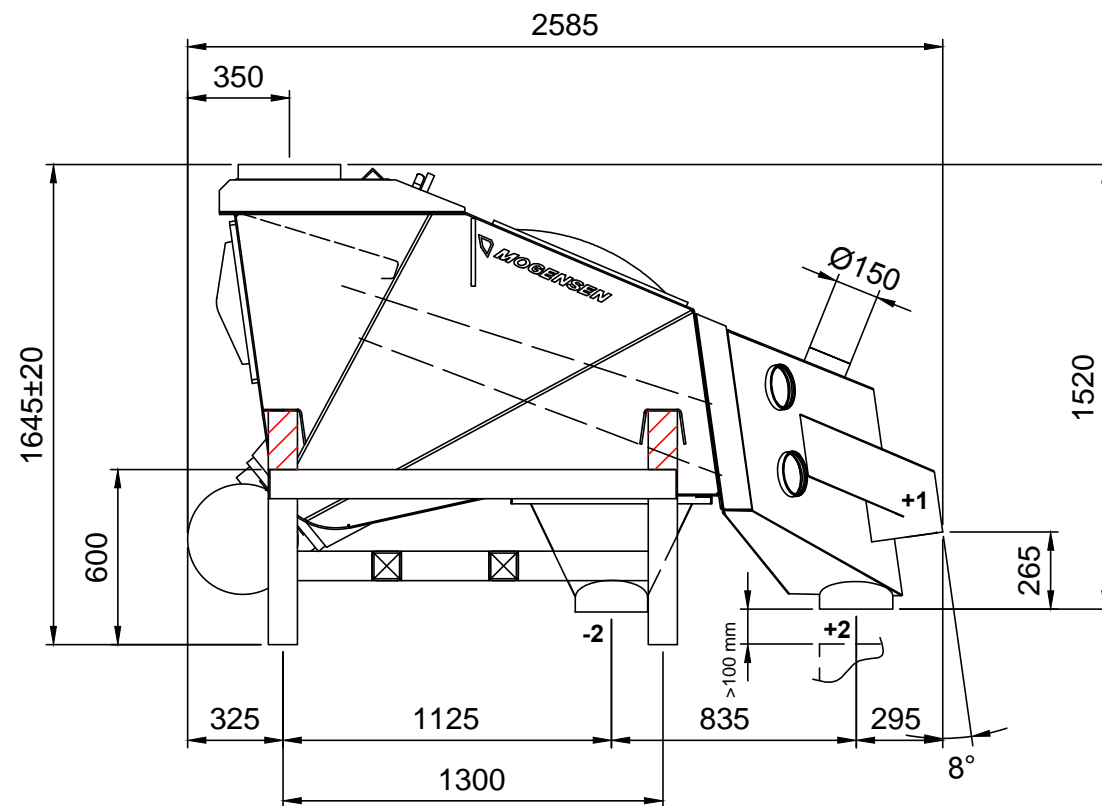
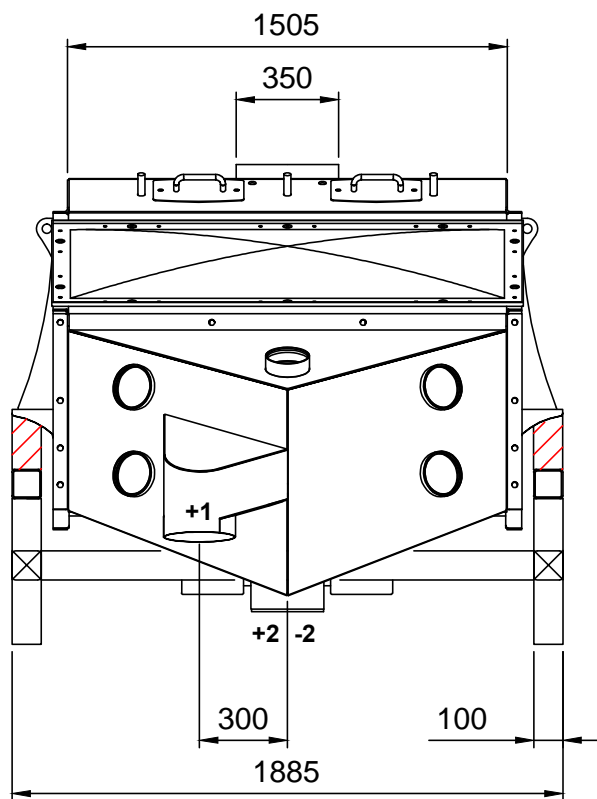



Dynamic load
 (4 pol 50Hz) + - 352 N at 24 Hz
 (6 pol 50Hz) + - 800 N at 16 Hz

Weights:
 Sizer: ~ 1090 kgs
 Support frame: 150 kgs

Screening surface: 2 x 2,0 m²



Outlets:
 Ø250 mm

 FREDRIK MOGENSEN AB Hjo, SWEDEN	Ref.	Skala	Typ
	Mogensen Sizer Typ G152	1:25	G152
	2004-02-09	Ritad	Sign
			Nr
			49184
			Rev.
			0

Nr	Ant	Ändring och/eller medd.-nr	Datum	Inf	Godk
----	-----	----------------------------	-------	-----	------