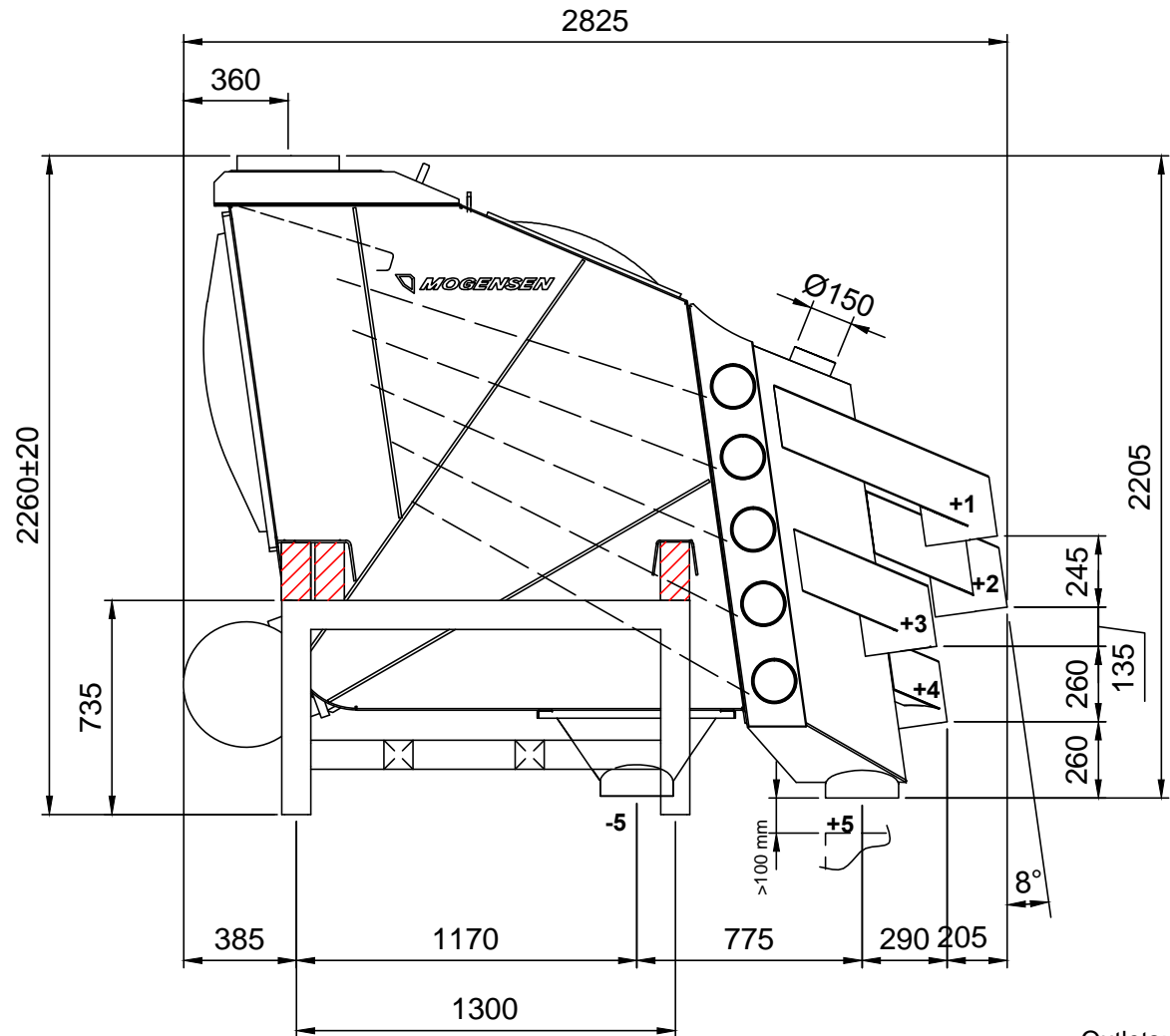
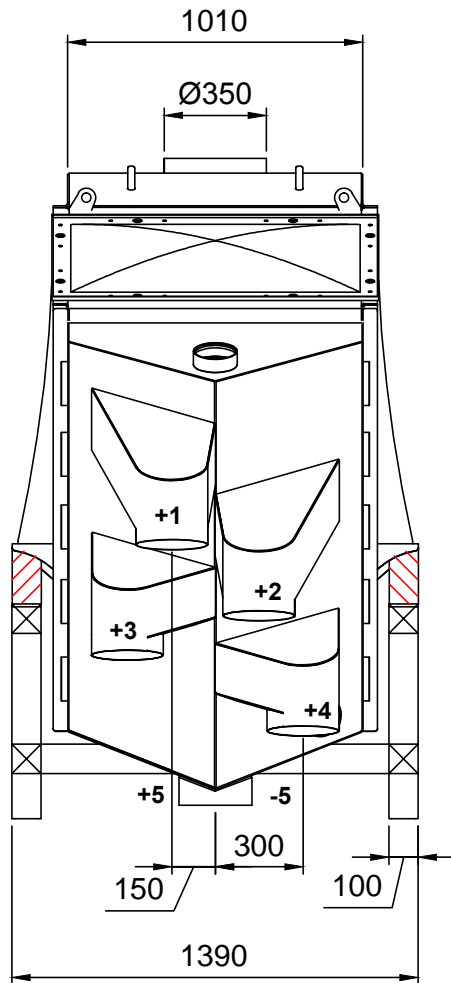



Dynamic load  
 (4 pol 50Hz) + - 557 N at 24 Hz  
 (6 pol 50Hz) + - 1275 N at 16 Hz

Weights:  
 Sizer: ~ 1294 kgs  
 Support frame: 150 kgs

Screening surface: 5 x 1,3 m<sup>2</sup>



Outlets:  
 Ø250 mm

 FREDRIK MOGENSEN AB Hjo, SWEDEN	Ref.	Skala	Typ
	Mogensen Sizer Typ G105	1:25	G105
	Ritad	Sign	Kontr.
	2004-02-05	JJ	OJ
	Nr	49178	
			Rev. 0

Nr	Ant	Ändring och/eller medd.-nr	Datum	Inf	Godk
----	-----	----------------------------	-------	-----	------