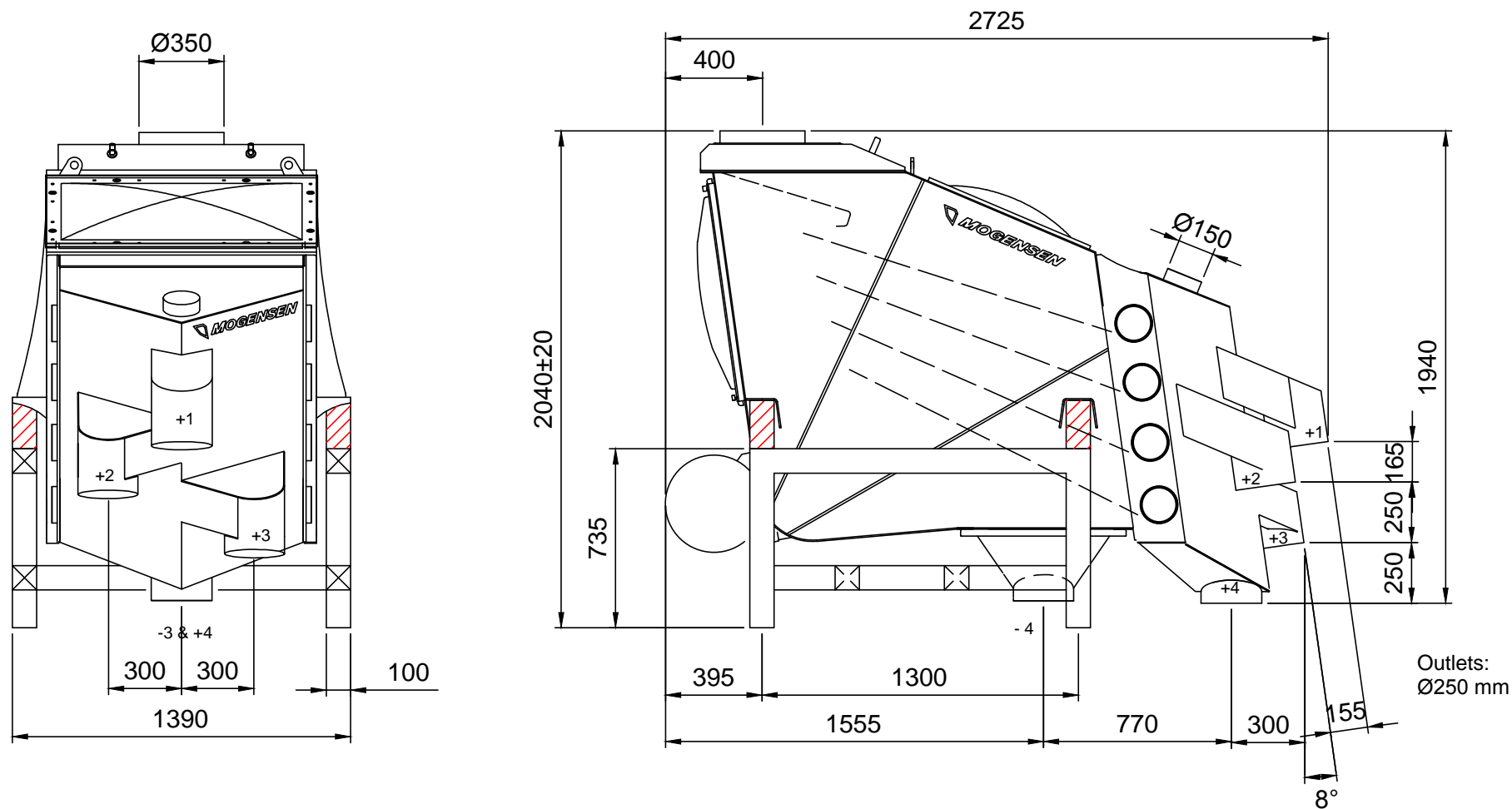



Dynamic load - 50Hz
 (4 pol 50Hz) +- 515 N at 24 Hz
 (6 pol 50Hz) +- 1180 N at 16 Hz

Dynamic load - 60Hz
 (6 pol 60Hz) +- 810 N at 19 Hz

Weights:
 Sizer: ~ 1115 kgs
 Support frame: 150 kgs

Screening surface: 4 x 1,3 m²



 FREDRIK MOGENSEN AB Hjo, SWEDEN	Ref.	Skala	Typ
		1:25	G104
	Ritad	Sign	Kontr.
	2003-12-08	OJ	HO
		Nr	Rev.
		48967	0

Nr	Ant	Ändring och/eller medd.-nr	Datum	Inf	Godk
----	-----	----------------------------	-------	-----	------