

Dynamic load

(4 pol 50Hz) Vertical + - 450 N Horizontal + - 112 N at 24 Hz

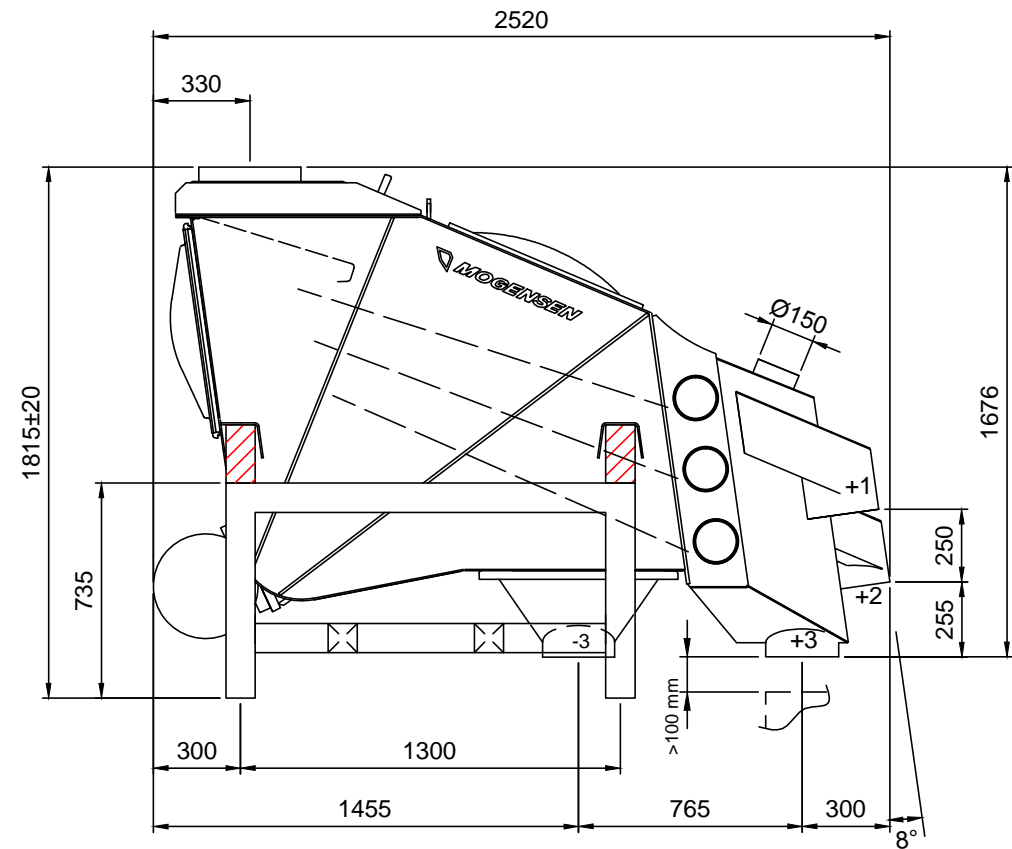
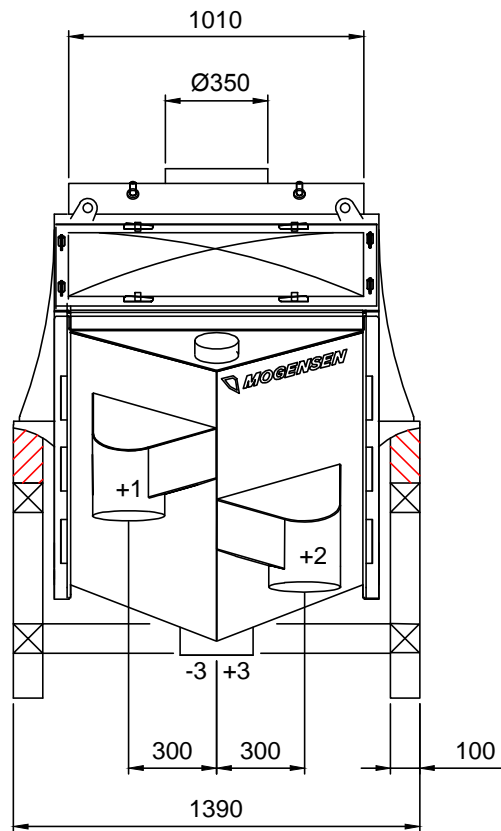
(6 pol 50Hz) Vertical + - 1020 N Horizontal + - 255 N at 16 Hz

Weights:


Sizer: 1000 kgs

Support frame: 150 kgs

Screening surface: 3 x 1,3 m²



Outlets:
Ø250 mm

 FREDRIK MOGENSEN AB Hjo, SWEDEN		Ref.	Skala	Typ
			1:25	G103
1 Längd mått var 2460mm 2010-03-23 OJ JJ Nr Ant Ändring och/eller medd.-nr Datum Inf Godk		Mogensen Sizer Type G103		Ritad 2003-07-03
		Kontr. OJ		Sign JJ
		Nr 49177		Rev. 1