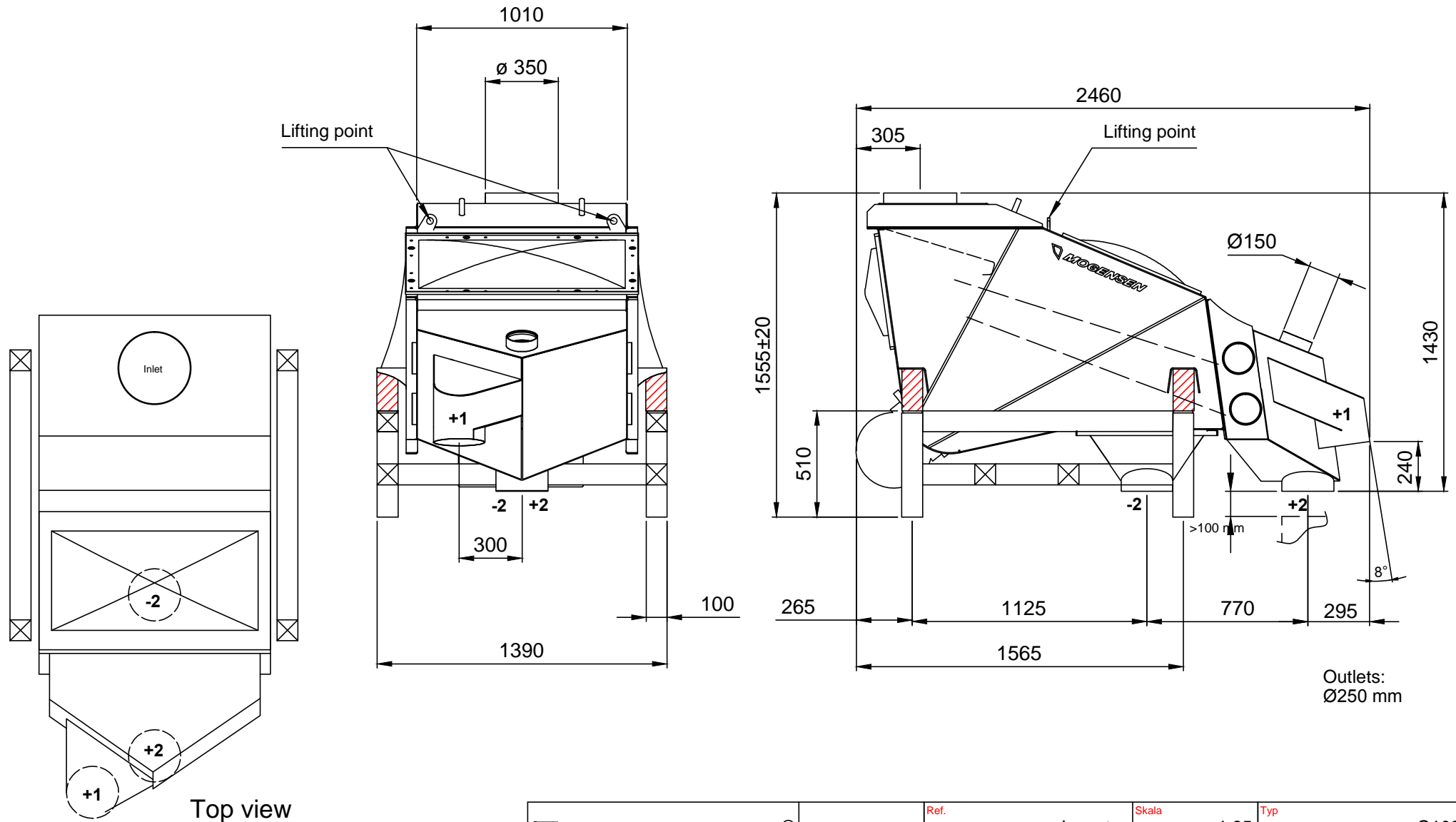


Dynamic load
 (4 pol 50Hz) +- 448 N at 24 Hz
 (6 pol 50Hz) +- 1023 N at 16 Hz

Dynamic load
 (6 pol 60Hz) +- 704 N at 19,2 Hz

Weights:
 Sizer: ~ 830 kgs
 Support frame: 100 kgs

Screening surface: 2 x 1,3 m²



MOGENSEN FREDRIK MOGENSEN AB Hjo, SWEDEN	Ref.	Inventor	Skala	1:25	Typ	G102
	Mogensen Sizer Type G102		Ritad	2004-02-02	Sign	JJ
				2012-01-18	Kontr.	OJ
				Nr	49171	
						Rev. 0

Nr	Ant	Ändring och/eller medd.-nr	Datum	Inf	Godk
----	-----	----------------------------	-------	-----	------