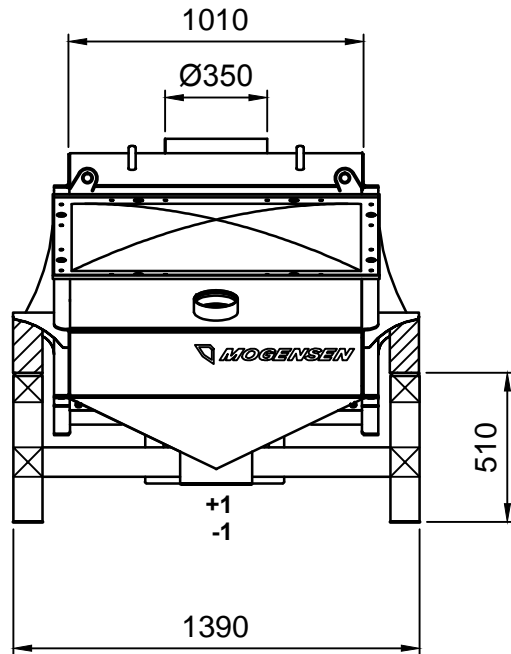


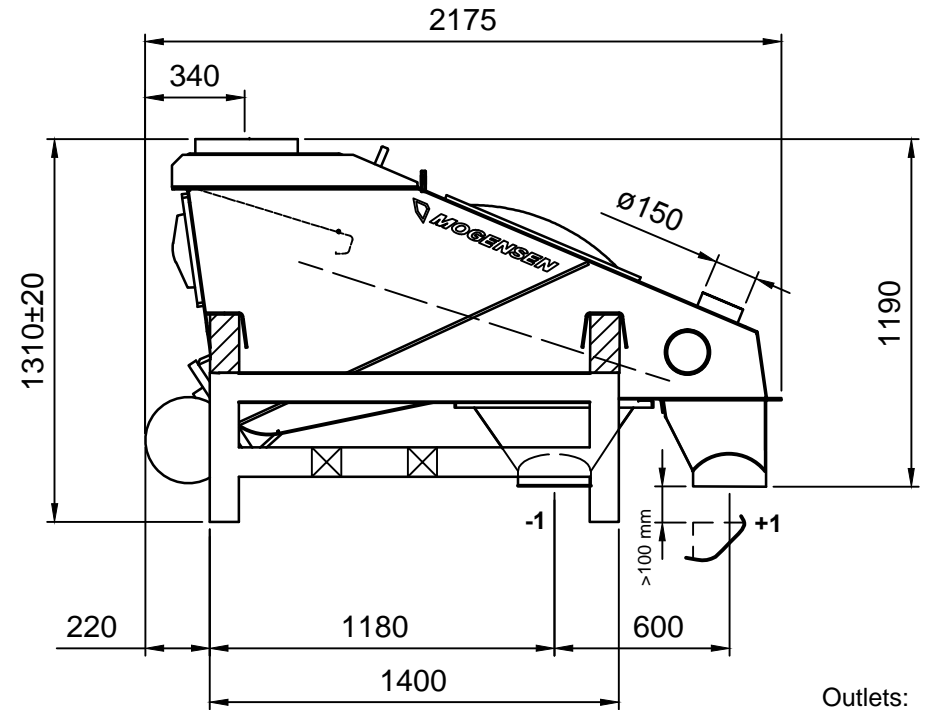
Dynamic load
 (4 pol 50Hz) ± 352 N at 24 Hz
 (6 pol 50Hz) ± 800 N at 16 Hz
 (6 pol 60Hz) ± 552 N at 19,2 Hz

Weights:
 Sizer: 630 kgs
 Support frame: 130 kgs


Screening surface: 1 x 1,3 m²



← Top view



Outlets:
 Ø250 mm

 FREDRIK MOGENSEN AB Hjo, SWEDEN	Ref.	Skala	Typ	
		1:25	G101	
		Ritad	Sign	Kontr.
		2004-02-04	JJ	OJ
			Nr	Rev.
			49175	0

Nr	Ant	Ändring och/eller medd.-nr	Datum	Inf	Godk
----	-----	----------------------------	-------	-----	------