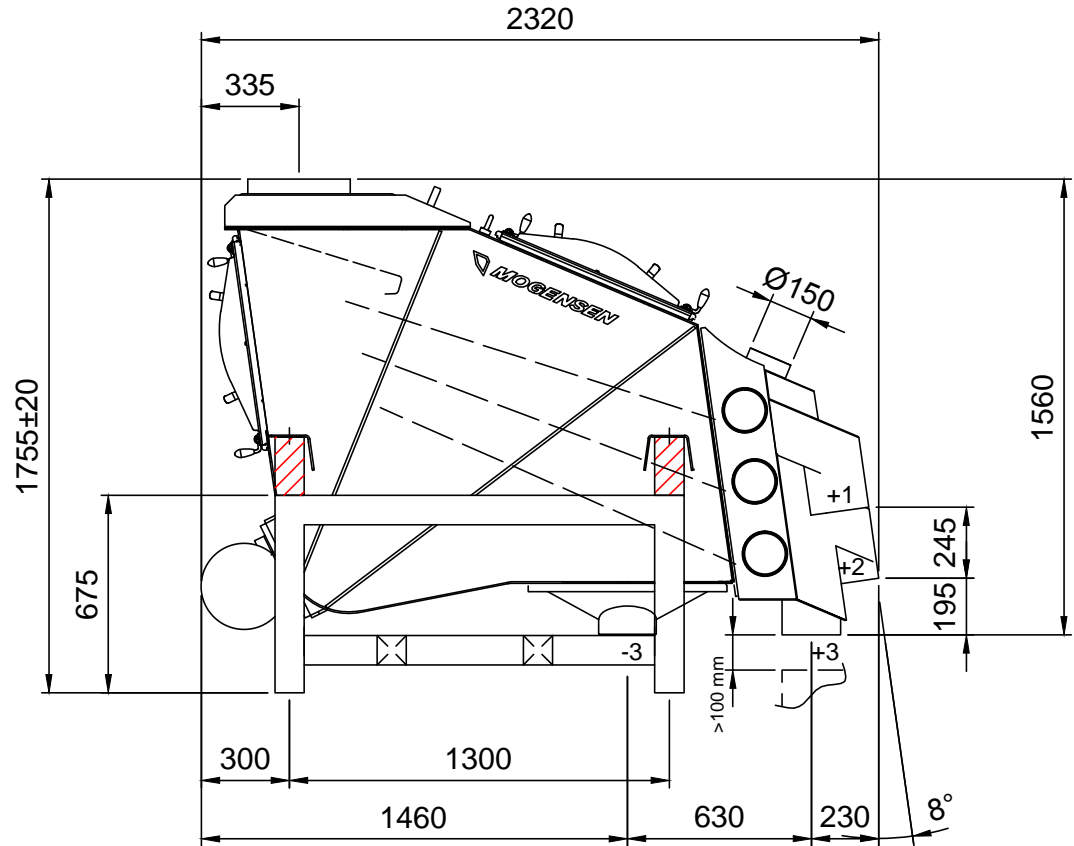
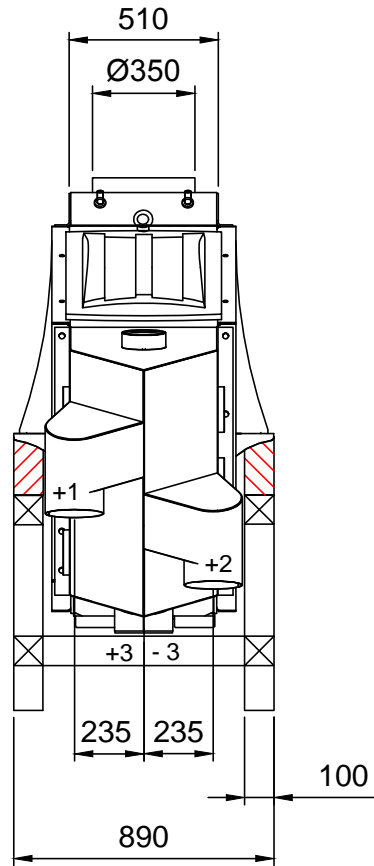



Dynamic load
 (4 pol 50Hz) + - 352 N at 24 Hz
 (6 pol 50Hz) + - 800 N at 16 Hz

Weights:
 Sizer: ~ 585 kgs
 Support frame: 150 kgs

Screening surface: 3 x 0,65 m²



Outlets:
 Ø200 mm

 FREDRIK MOGENSEN AB Hjo, SWEDEN					Ref.	Skala	Typ
						1:25	G053
					Ritad	Sign	Kontr.
					2004-03-05	OJ	JJ
					Nr	Rev.	
						49266 1	

1	Skal ytbytt till G	050531	JJ	OJ
Nr	Ändring och/eller medd.-nr	Datum	Inf	Godk