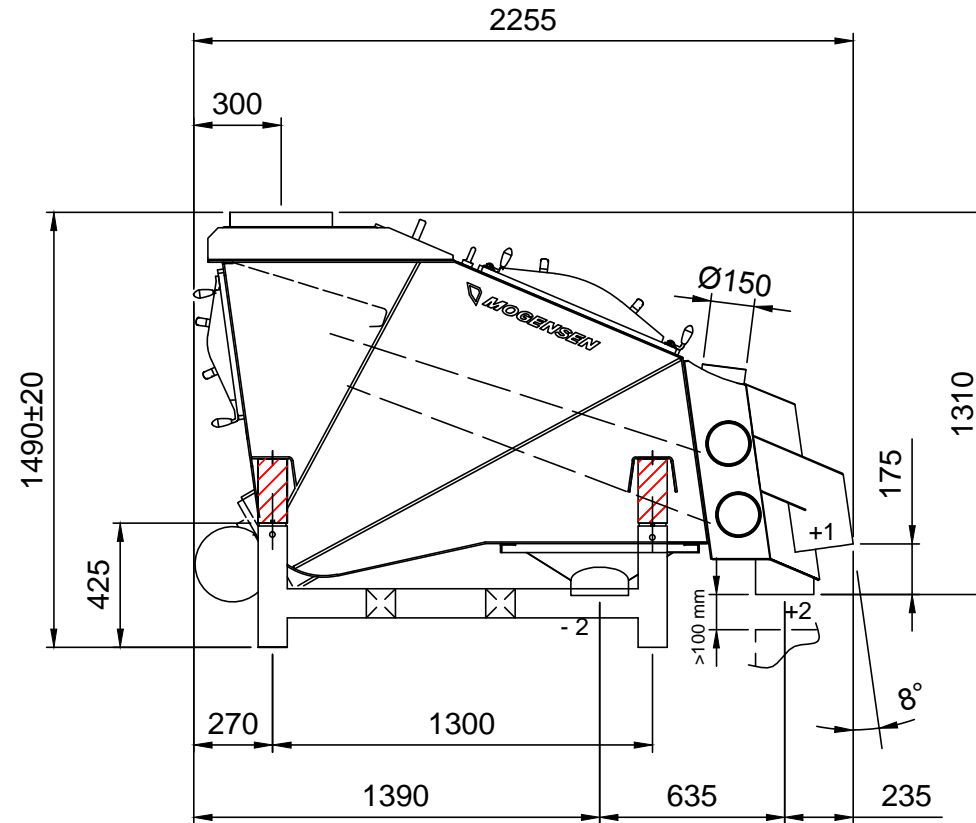
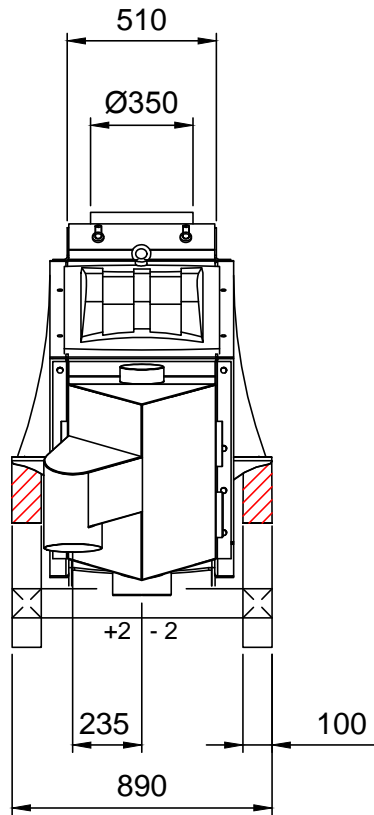



Dynamic load
 (4 pol 50Hz) + - 352 N at 24 Hz
 (6 pol 50Hz) + - 800 N at 16 Hz

Weights:
 Sizer: ~ 470 kgs
 Support frame: 80 kgs

Screening surface: 2 x 0,65 m²



Outlets:
 Ø200 mm

 FREDRIK MOGENSEN AB Hjo, SWEDEN					Ref.	Skala	Typ
						1:25	G052
					Ritad	Sign	Kontr.
					2004-02-25	OJ	JJ
					Nr	49227	
						Rev. 1	

1	Skal utbytt till G	050520	JJ	OJ
Nr	Ändring och/eller medd.-nr	Datum	Inf	Godk