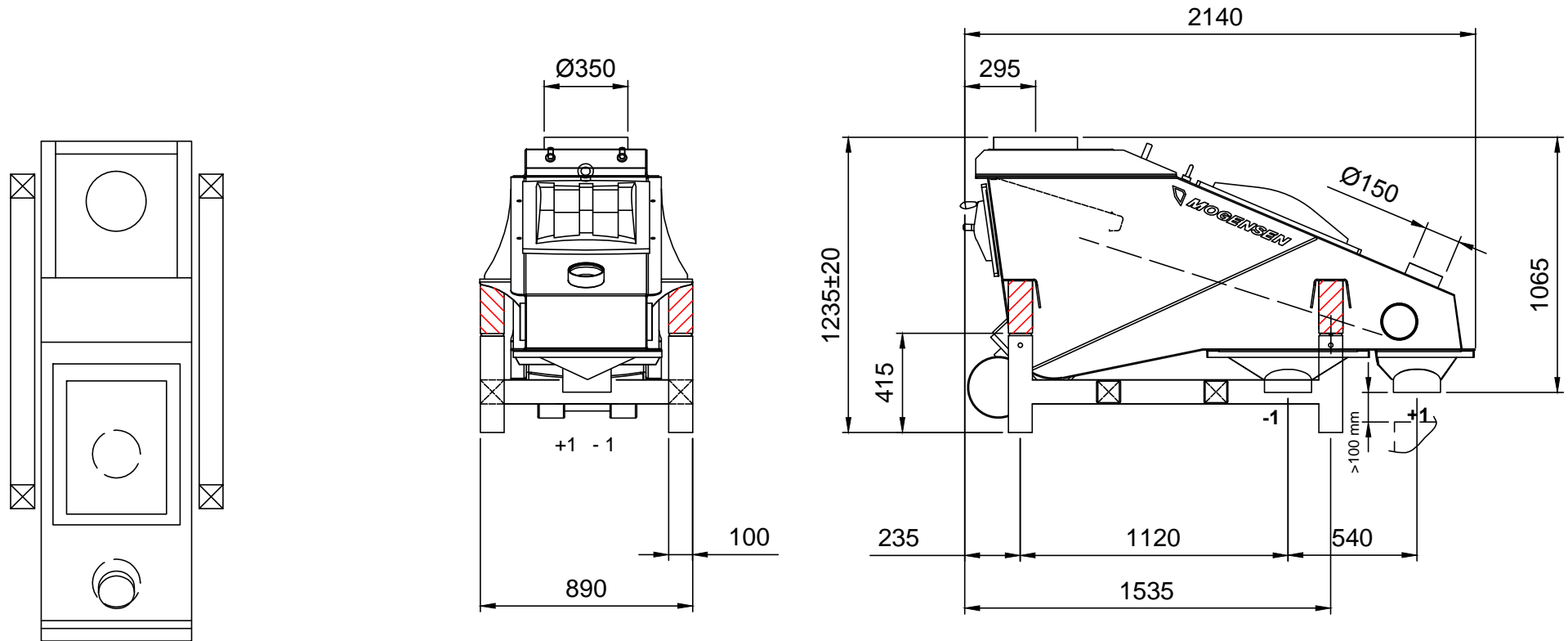


Dynamic load
 (4 pol 50Hz) + - 352 N at 24 Hz
 (6 pol 50Hz) + - 800 N at 16 Hz

Weights:
 Sizer: ~400 kgs
 Support frame: 90 kgs

Screening surface: 1 x 0,65 m²



Top view

Outlets:
 $\varnothing 200$ mm

					 FREDRIK MOGENSEN AB Hjo, SWEDEN	Mogensen Sizer Type G051	Ref.	Skala	Typ
								1:25	G051
1		+1 utlopp flyttad 85 mm	05-05-16	JJ	OJ		Ritad	Sign	Kontr.
Nr	Ant	Ändring och/eller medd.-nr	Datum	Inf	Godk		2004-03-08	OJ	JJ
								Nr	Rev.
								49265	1