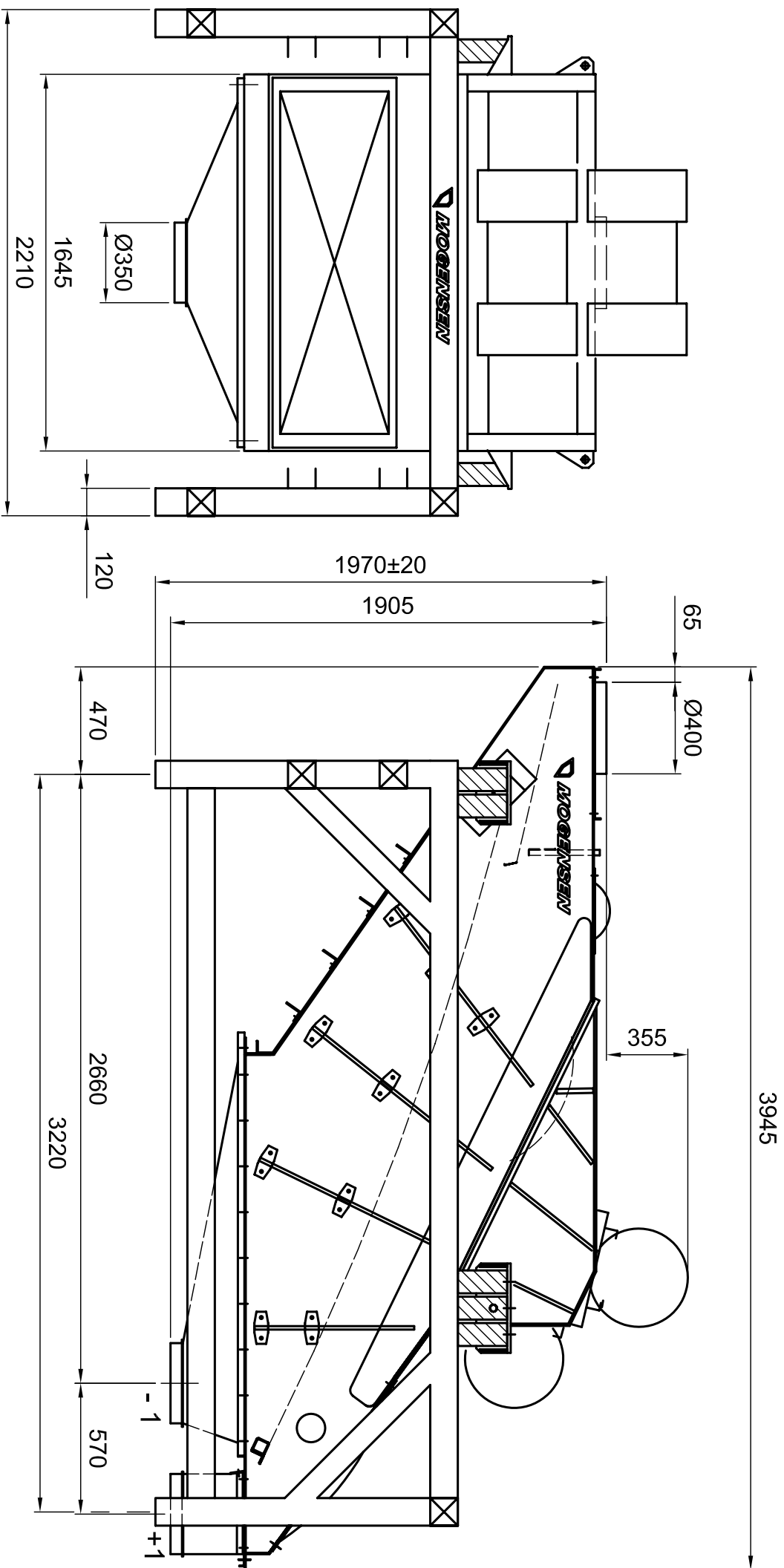


Dynamic load  
(6 pol 50Hz) + - 2445 N at 16 Hz

Weight:  
Sizer 2500 kg  
Supportframe 600 kg

Screening surface: 1 x 4,5 m<sup>2</sup>



Outlets:  
Ø350 mm

Nr	Ant	Ändring och/eller medd.-nr	Datum	Inf	Godk
 <b>FREDRIK MOGENSENS AB</b> Hjo, SWEDEN					
Ref.		Skala		Typ	
Mogensens Sizer		1:25		F1516	
Type F1516		Ritad 2006-01-23		Sign JJ	
Rev.		Nr		Kont.	
50435		0		OJ	