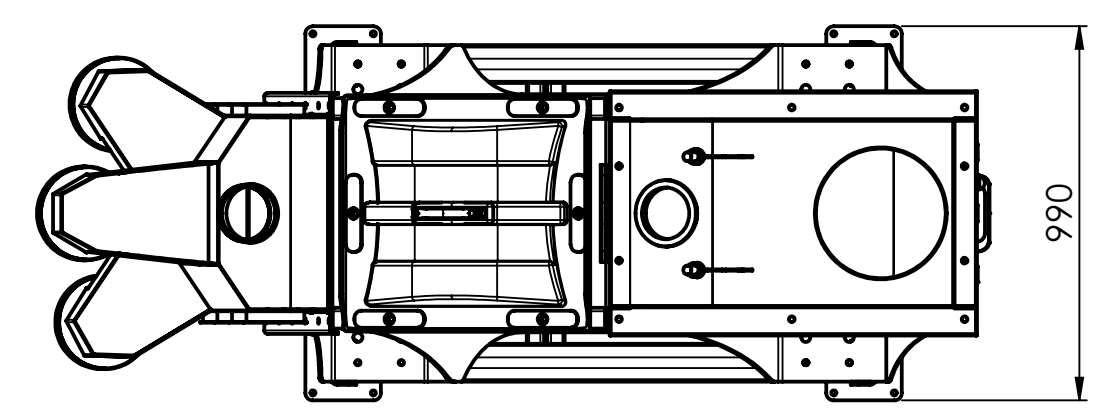
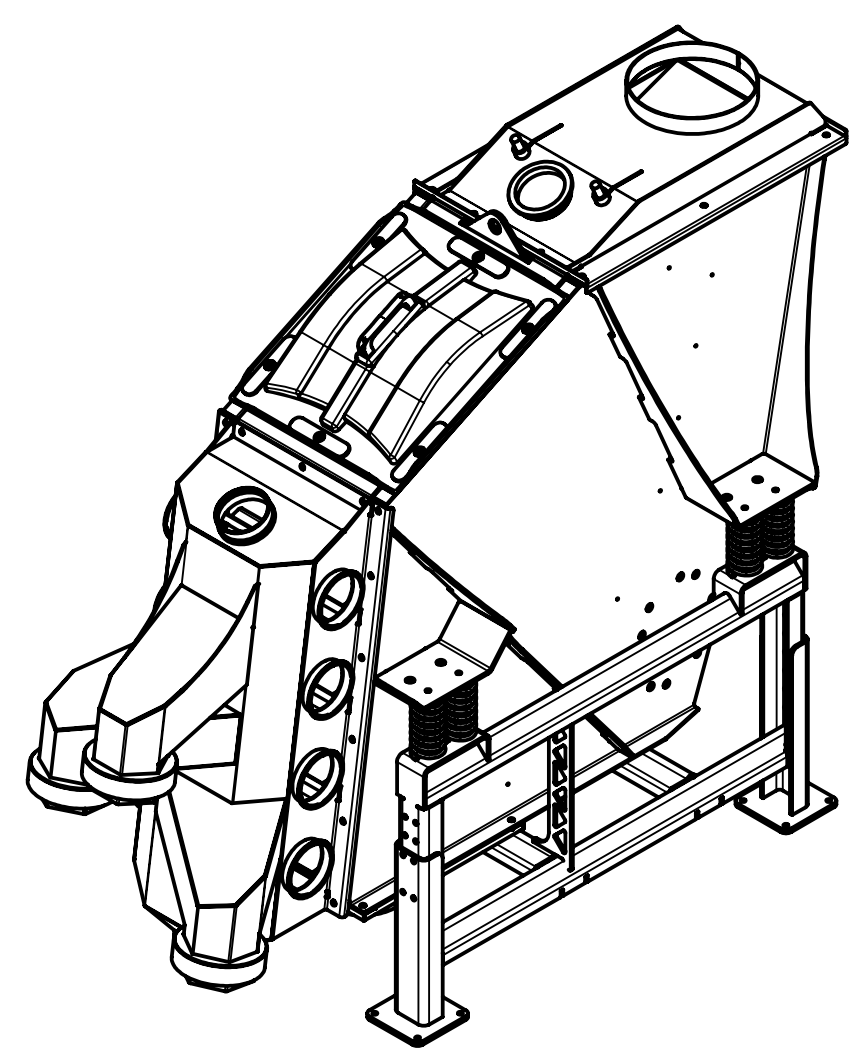
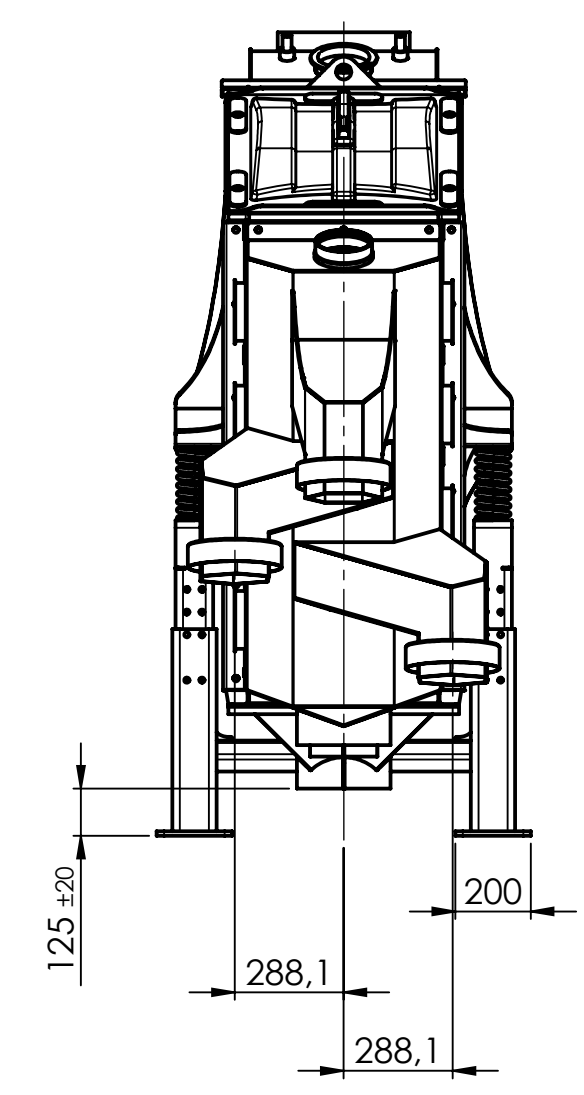
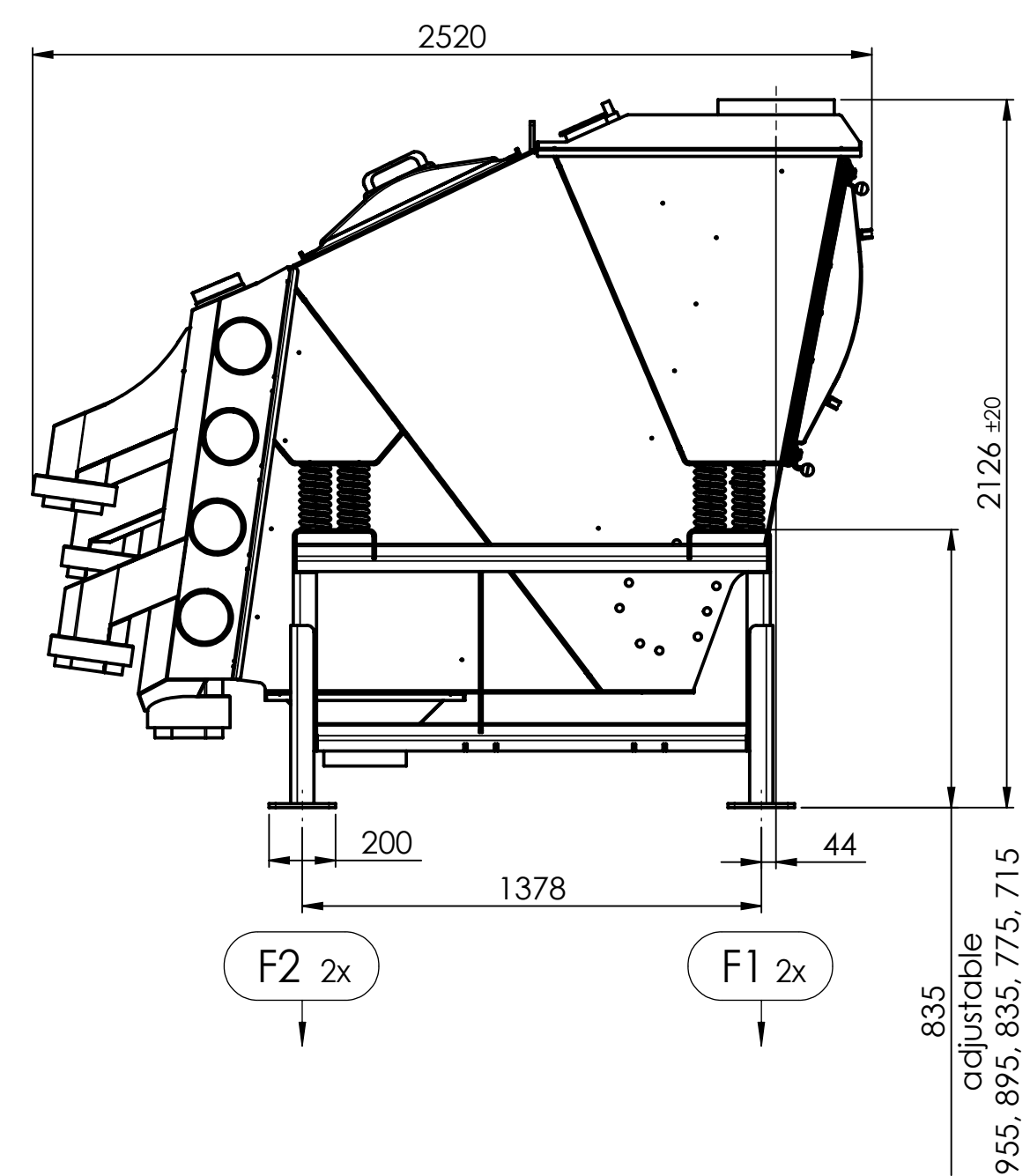


1400
space for screen-mat
changing



- Inlet: Ø350
- +1 Ø250
 - +2 Ø250
 - +3 Ø250
 - +4 Ø250
 - 4 Ø250

Förderichtung Conveying direction sans de manutention Verlagerungspunkte Supporting points Points de support		
F ₂	F ₁	F ₁
F ₂	F ₁	F ₁
Mindestabstand zu stationären Teilen 80 mm Minimum distance to stationary parts 80 mm Distance minimum aux elements stationnaires 80 mm		
Betriebsbelastung Operation load Charge en service		
	stat. (N)	dyn. (N)
F ₁	v	2415 N ± 140 N
	h	± 15 N
F ₂	v	2415 N ± 100 N
	h	± 15 N
Frequenz, Frequency, Frequence 24 Hz Gewicht, Weight, Poids ~ 895 kg 1kp = 9,81 N 1N = 0,102 kp		

index	modification	date	name	index	modification	date	name																														
<table border="1"> <tr> <td>material</td> <td>date</td> <td>name</td> <td rowspan="3"> ALLGAIER PROCESS TECHNOLOGY Fredrik Mogensen AB Sveavägen 26 544 50 Hjo / Sweden www.allgaler-process-technology.com/en/fredrik-mogensen-ab </td> </tr> <tr> <td>weight (kg)</td> <td>drawn</td> <td></td> </tr> <tr> <td>714</td> <td>checked</td> <td></td> </tr> <tr> <td>scale</td> <td>1:20</td> <td>name</td> <td></td> </tr> <tr> <td colspan="3"> description MSizer compact, C054x General drawing, for quotation only </td> <td>reference</td> </tr> <tr> <td colspan="3"> tolerances ISO 2768-mK ISO 13920 BE EN 20273-m </td> <td>compensation for</td> </tr> <tr> <td>part-no.</td> <td>drawing-no.</td> <td colspan="2">replaced by</td> </tr> <tr> <td colspan="3"></td> <td>page / of 1 / 1</td> </tr> </table>								material	date	name	ALLGAIER PROCESS TECHNOLOGY Fredrik Mogensen AB Sveavägen 26 544 50 Hjo / Sweden www.allgaler-process-technology.com/en/fredrik-mogensen-ab	weight (kg)	drawn		714	checked		scale	1:20	name		description MSizer compact, C054x General drawing, for quotation only			reference	tolerances ISO 2768-mK ISO 13920 BE EN 20273-m			compensation for	part-no.	drawing-no.	replaced by					page / of 1 / 1
material	date	name	ALLGAIER PROCESS TECHNOLOGY Fredrik Mogensen AB Sveavägen 26 544 50 Hjo / Sweden www.allgaler-process-technology.com/en/fredrik-mogensen-ab																																		
weight (kg)	drawn																																				
714	checked																																				
scale	1:20	name																																			
description MSizer compact, C054x General drawing, for quotation only			reference																																		
tolerances ISO 2768-mK ISO 13920 BE EN 20273-m			compensation for																																		
part-no.	drawing-no.	replaced by																																			
			page / of 1 / 1																																		

This drawing is not allowable for neither
 duplication nor accessible for any third
 party or competitor without our permission.